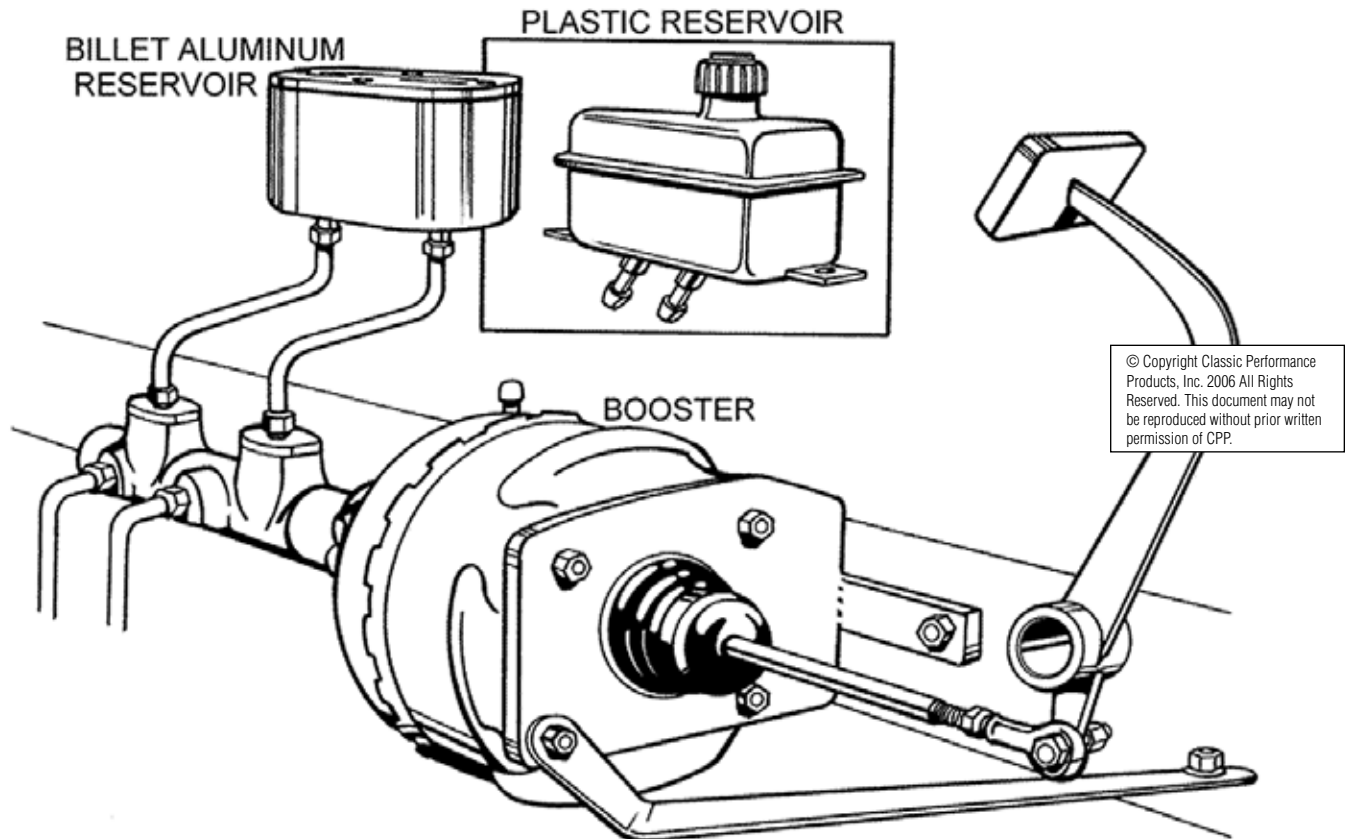


Steering, Brake & Suspension Specialists

TYPICAL INSTALLATION OF REMOTE RESERVOIR POWER BRAKE BOOSTER KIT

Make sure this kit fits your application before painting or plating. Beware that chroming or painting the booster can cause it to malfunction if not performed properly. Parts that have been painted, plated or modified may not be returned.



For technical help call Classic Performance Products Monday thru Friday 8:30am to 5:00pm at (714) 522-2000.

Classic Performance Products, Inc. 714.522.2000 | fax 714.522.2500

378 E. Orangethorpe Ave. | Placentia, CA 92870 | www.classicperform.com