

Steering, Brake & Suspension Specialists

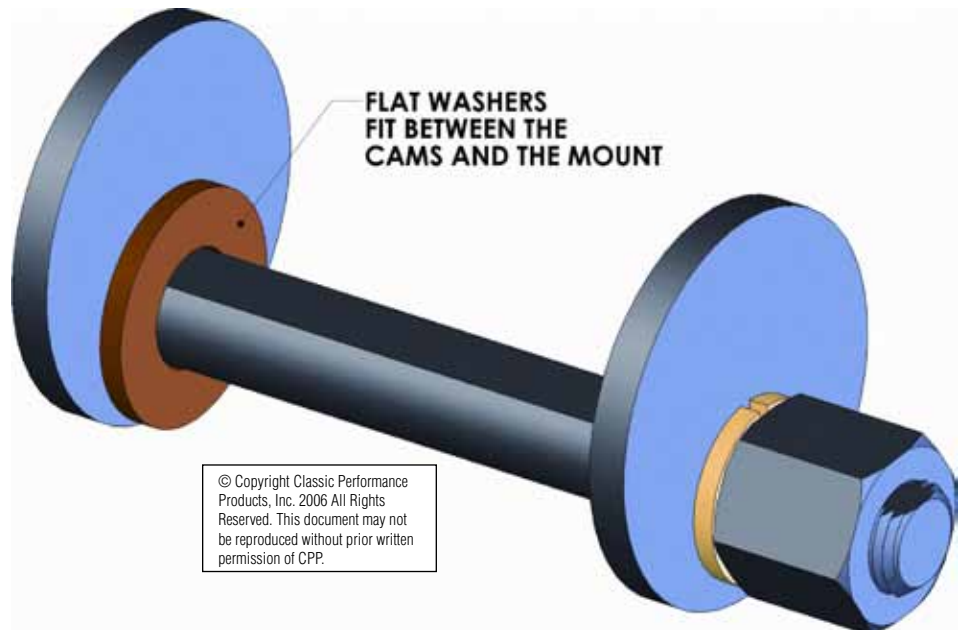
#264-3594 - Alignment Cam Installation Instructions

Parts:

- 1 ea 1/2-20x4 Gr.8 Bolt W/Flat
- 1 ea 1/2-20 Gr.8 Nut
- 1 ea 1/2 Lock Washer
- 2 ea Cams
- 2 ea 1/2 Flat Washers

Instructions:

1. Assemble the cam on to the bolt.
2. Assemble one flat washer on the bolt.
3. Install the bolt, cam washer assembly.
4. Install one flat washer.
5. Install the remaining cam.
6. Install the lock washer.
7. Install the nut.



For technical help call Classic Performance Products Monday thru Friday 8:30am to 5:00pm at (714) 522-2000

Classic Performance Products, Inc. 714.522.2000 | fax 714.522.2500

378 E. Orangethorpe Ave. | Placentia, CA 92870 | www.classicperform.com