

## #LS1-K3 Installation Instructions

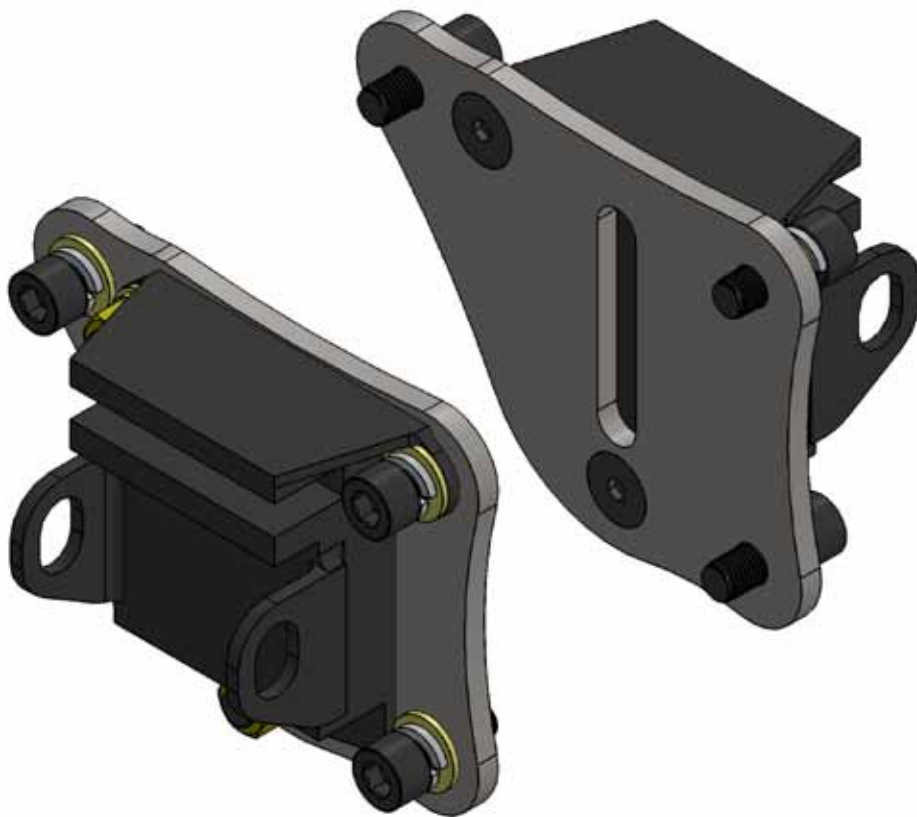
### for 3" Forward LS V8 Engine Mount Adapter

#### Parts List:

2 ea	Engine Mount Adapter
4 ea	3/8" Counter Sink Bolt
4 ea	3/8" Nut
4 ea	3/8" Lock Washer
6 ea	10mm Socket Head Bolt
6 ea	10mm Lock Washer
10 ea	Flat Washer

#### Instructions:

1. Pre-assemble the bracket assemblies.  
Install 2 of the 3/8" counter bolts into an adapter bracket. Next place the engine mount on the adapter bracket aligned with the 2 counter sink screws. Now tighten the counter sink bolts using 2 flat washers, 2 of the 3/8" lock washers, and 2 of the 3/8" nuts.
2. Attach the bracket assembly to the engine.  
Each assembly will use 3 flat washers, 3 of the 10mm washers and 3 10mm socket head cap screws (allen bolts).



#### Note:

*Due to variations between different manufactures' engine mounts, some modifications may be necessary:*

If the bump on the back side of the mount interferes with the adapter, you may need to remove a portion of the bump; a grinder works well for this.

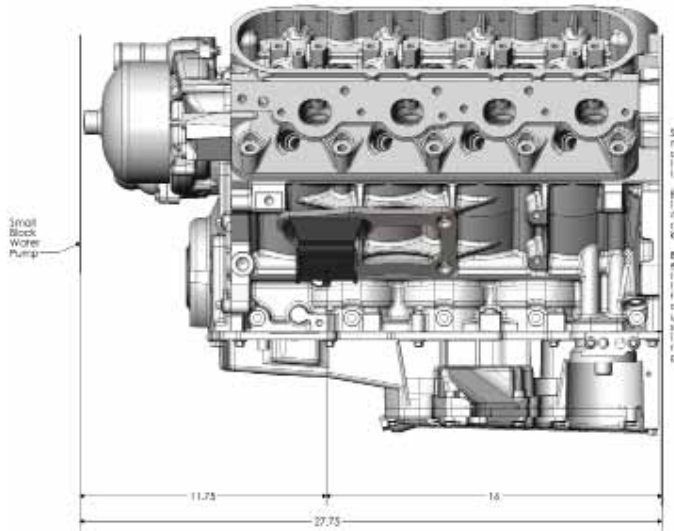
Some mounts utilize a steel backing plate. In this case, the new adapter will act as the backing plate.



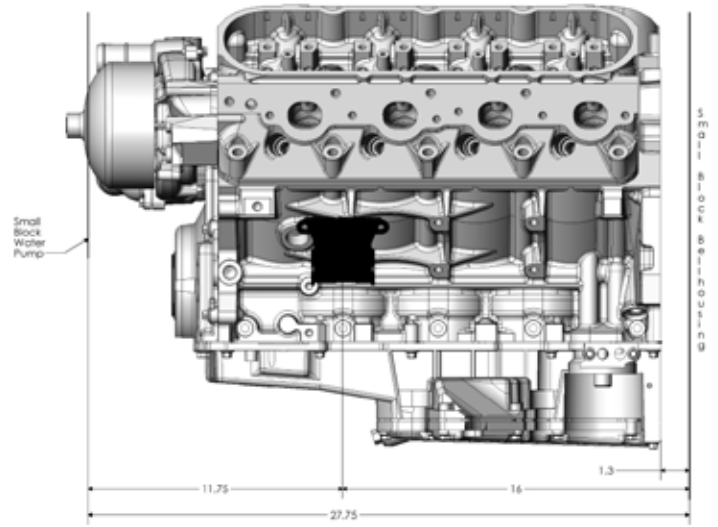


Steering, Brake & Suspension Specialists

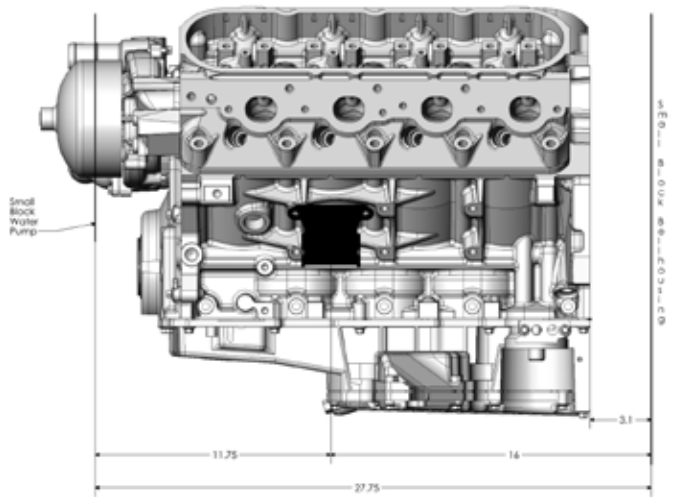
**LS1-KS**  
Stock Position



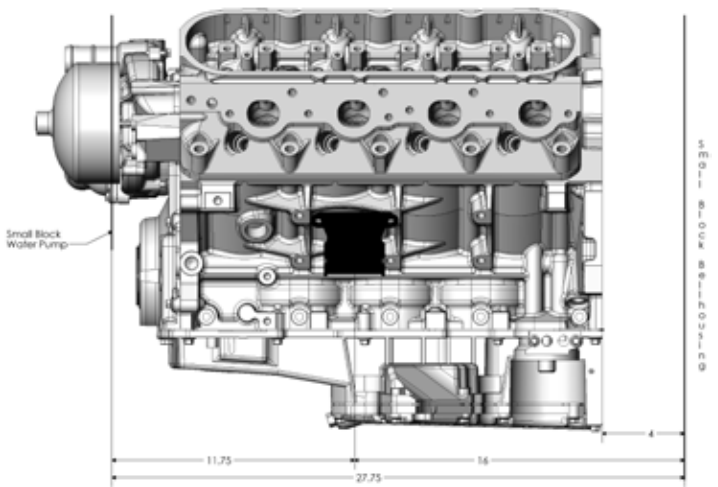
**LS1-K125**  
1-1/4" Forward



**LS1-K3**  
3" Forward



**LS1-K**  
4" Forward



**LS1-K125**  
5-3/4" Forward

