



Steering, Brake & Suspension Specialists

Custom E-Brake Cable Measurements

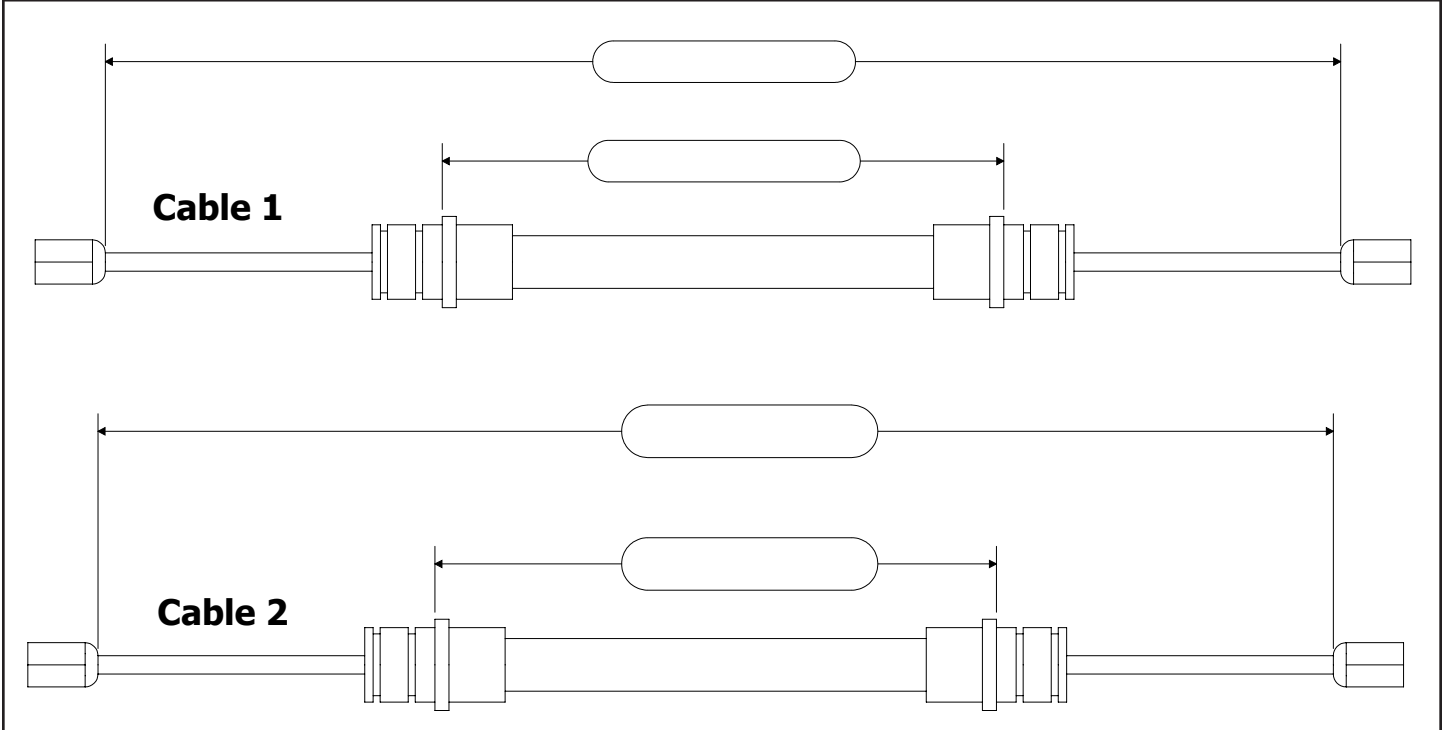
Please provide the following information and fax form to (714) 522-2500 so we can make new cables for your specific application

Customer Name: _____ Customer # _____

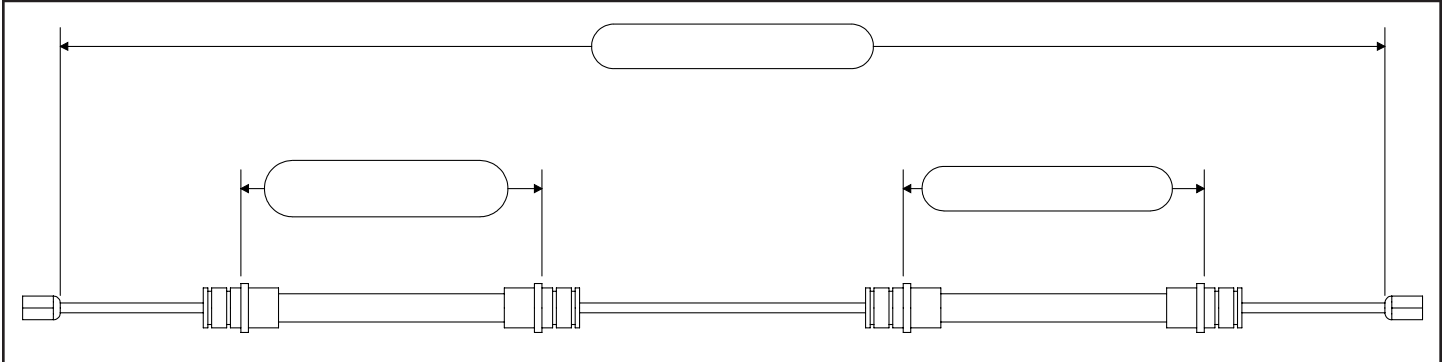
Vehicle Application: _____ Telephone # _____

Measure the length required for your new cable and fill in the grey boxes below. If you have any questions or concerns, please call your customer service rep at (714) 522-2000.

FOR TWO CABLE APPLICATIONS:



FOR SINGLE CABLE APPLICATIONS:



Classic Performance Products, Inc. 714.522.2000 | fax 714.522.2500
378 E. Orangethorpe Ave. | Placentia, CA 92870 | www.classicperform.com