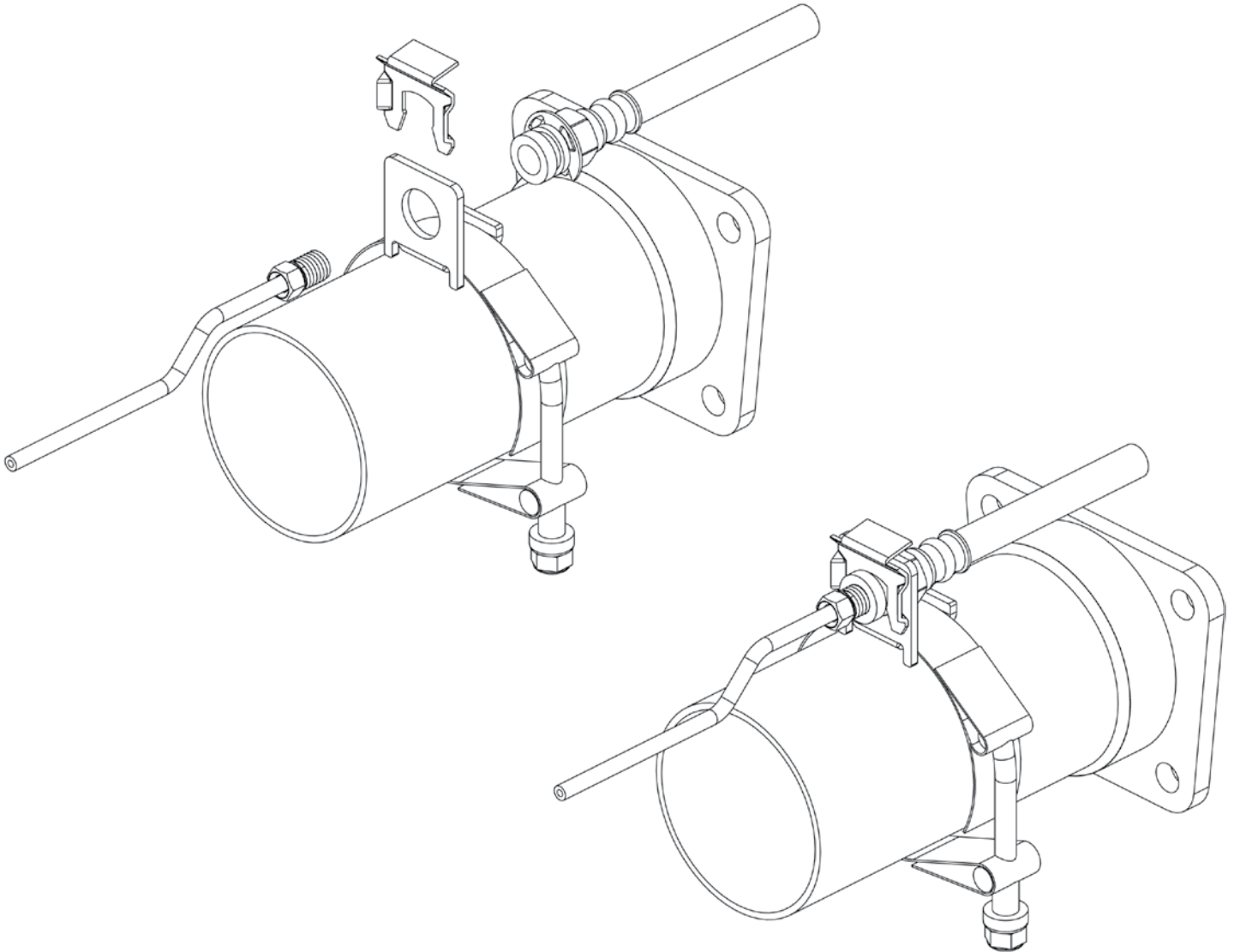




*Steering, Brake & Suspension Specialists*

## **#6467RLK-0M Installation Instructions**

*1964-67 Chevelle/El Camino Rear Disc Brake Conversion Line Kit*



*Classic Performance Products, Inc.* 714.522.2000 | fax 714.522.2500  
378 E. Orangethorpe Ave. | Placentia, CA 92870 | [www.classicperform.com](http://www.classicperform.com)

Rev. 6/7/2011