

Steering, Brake & Suspension Specialists

#6372SRK *Installation Instructions*

1963-1972 Rear Shock Relocation Kit

Parts List:

1 ea	Left Lower Shock Mount
1 ea	Right Lower Shock Mount
2 ea	Upper Shock Mounts
4 ea	3/8-16x1 Gr. 8 Bolts
4 ea	3/8 Lock Washers
4 ea	3/8-16 Gr. 8 Nuts
4 ea	1/2-13x3 Gr. 8 Bolts
4 ea	1/2-13 Gr. 8 Nuts
4 ea	1/2 Lock Washers
8 ea	3/8 Flat Washers
8 ea	1/2 Flat Washers

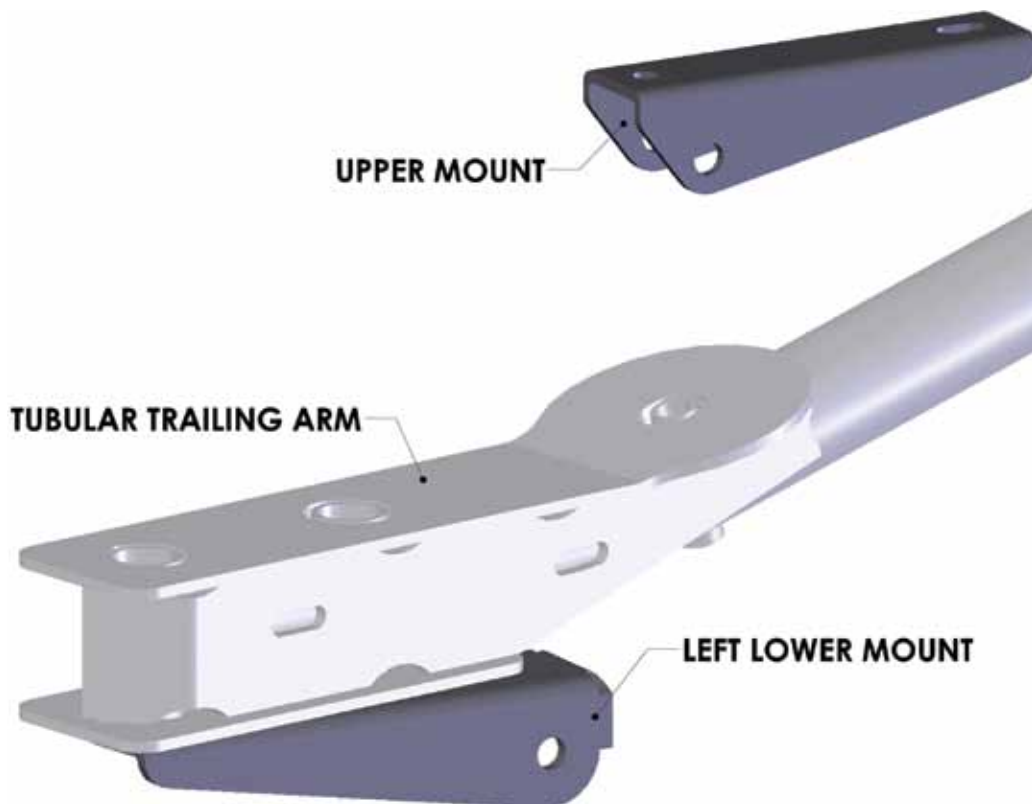
Note:

The shock relocation kit can correct the shock angle even more when used with shock mounting studs (#CPMS).

This kit works with original trailing arms and with CPP tubular trailing arms (#6072TTA).

Instructions:

1. Remove the rear shocks.
2. Remove the two rivets that secure each of the upper shock mounting brackets to the rear crossmember.
3. Using the new 3/8" hardware, bolt the new upper shock mounts to the rear crossmember thru the old rivet holes.
4. Remove the lower shock mounts from the trailing arms.
5. Install the new lower shock mounts in the same location as the original mounts.
6. Install the rear shocks with the 1/2" hardware. CPP recommends using new shocks.



For technical help call Classic Performance Products Monday thru Friday 8:30am to 5:00pm at (714) 522-2000.

Classic Performance Products, Inc. 714.522.2000 | fax 714.522.2500
378 E. Orangethorpe Ave. | Placentia, CA 92870 | www.classicperform.com