



Steering, Brake & Suspension Specialists

#5559MMC - Installation Instructions

for 1955-59 Chevrolet Trucks

Parts List:

1 ea	Left Rotor	2 ea	10mm Banjo Bolt
1 ea	Right Rotor	4 ea	10mm Crush Washer
1 ea	Left Caliper Bracket	2 ea	Parking Brake Cable
1 ea	Right Caliper Bracket	4 ea	M12x1.75x30mm Gr8.8 Bolt
1 ea	Left Caliper Assembly	4 ea	7/16 Flat Washer
1 ea	Right Caliper Assembly	4 ea	1/2 Lock Washer
1 ea	10 Bolt Gasket	8 ea	3/8-16x 1-1/2 Gr8 Bolt
1 ea	12 Bolt Gasket	8 ea	3/8-16 Gr8 Nut
2 ea	Brake Hose Tab	8 ea	3/8 Lock Washer
2 ea	Brake Tab Clamp	16 ea	3/8 Flat Washer
2 ea	Brake Hose	10 ea	Wheel Stud
2 ea	Brake Hose Clip		

Note:

Read these instructions completely before attempting this conversion.

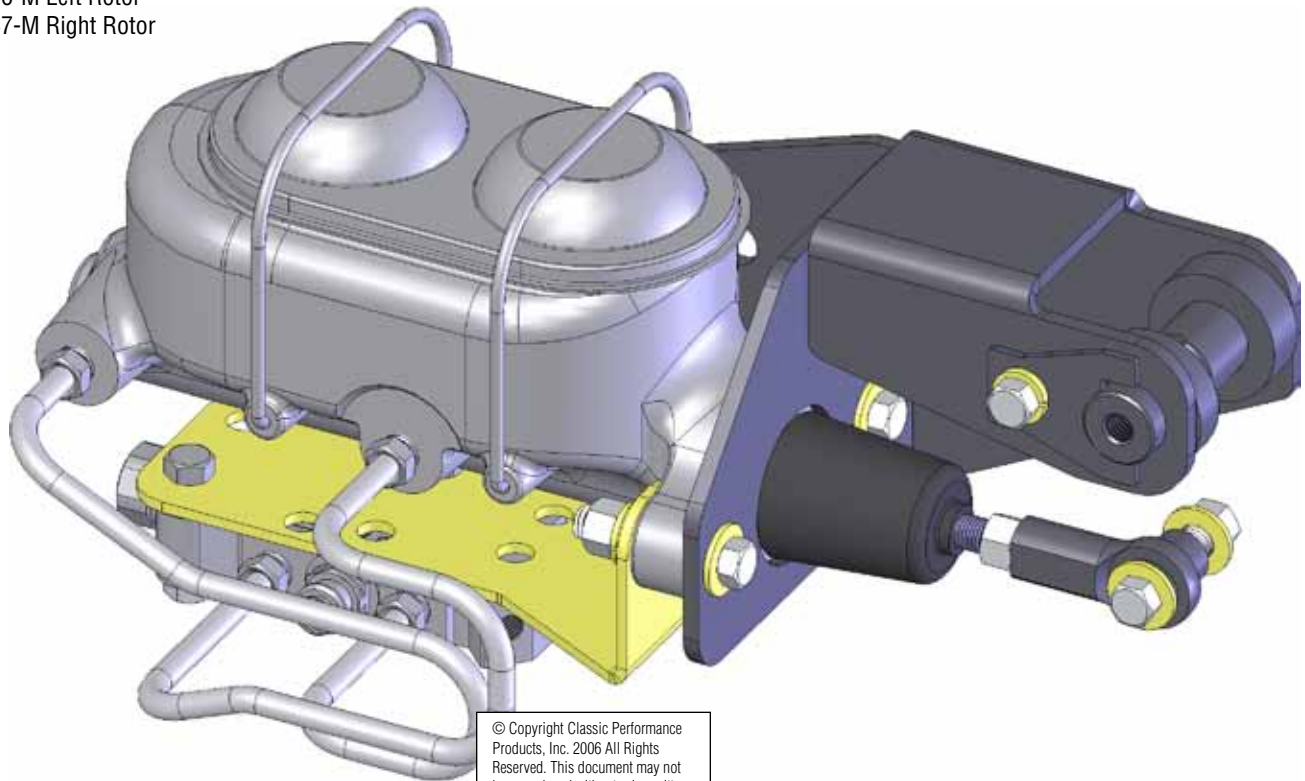
This kit is designed to work with 17" or larger wheels.

Instructions:

1. Disconnect the rear brake hoses from the hard lines on the axle. (New brake hoses are included with the disk brake kit.).
2. Remove the differential gear cover. Remove the C-clips from the axles. Remove the axles.
3. Remove the brakes drums and backing plates.

Replacement Parts:

1988-1992 Lincoln Continental Calipers
1988-1992 Lincoln Continental Brake Pads
CPP 8246-M Left Rotor
CPP 8247-M Right Rotor



© Copyright Classic Performance Products, Inc. 2006 All Rights Reserved. This document may not be reproduced without prior written permission of CPP.

For technical help call Classic Performance Products Monday thru Friday 8:30am to 5:00pm at (714) 522-2000

Classic Performance Products, Inc. 714.522.2000 | fax 714.522.2500

378 E. Orangethorpe Ave. | Placentia, CA 92870 | www.classicperform.com