

Steering, Brake & Suspension Specialists

#5557TBK - Traction Bar Installation Instructions *for 1955-57 Chevy Cars*

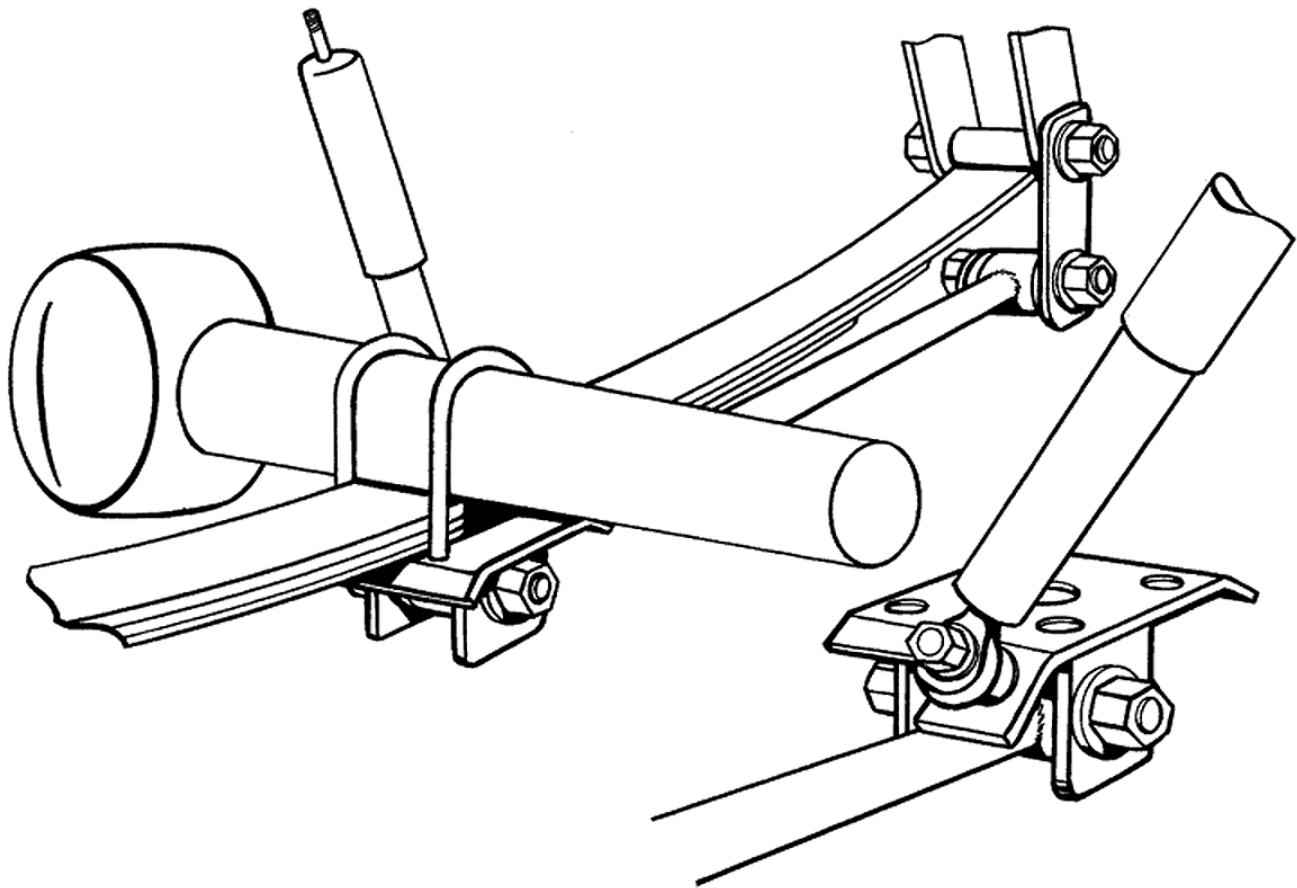
Notes:

Read these instructions completely before attempting this conversion.

Make sure this kit fits your application before painting or plating. Parts that have been painted, plated or modified may not be returned.

Instructions:

1. Jack up the rear of the car and support it with jack stands. Make sure that the rear suspension is loaded.
2. Loosen the u-bolts and remove the original leaf spring tie plate / shock mount and replace it with the new traction bar mount.
3. Bolt the traction bar to the new mount with the provided hardware.
4. With the traction bar attached to the rear end, place the frame bracket where you would like to install it. Mark the hole and proceed to drill. Attach the bracket with the provided hardware.
5. Make sure everything is good and tight.



For technical help call Classic Performance Products Monday thru Friday 8:30am to 5:00pm at (714) 522-2000.

Classic Performance Products, Inc. 714.522.2000 | fax 714.522.2500
378 E. Orangethorpe Ave. | Placentia, CA 92870 | www.classicperform.com