



Steering, Brake & Suspension Specialists

#4756MCA - Installation Instructions

for 1947-54 Chevy Trucks & 1953-56 Ford F-100 Trucks

Parts List:

5	3/8-16x1.5 bolts	10	3/8 flat washer
1	3/8-16x2 bolt	4	3/8 lock washer
1	3/8-16x2.5 bolt	1	3/8 thick washer
1	3/8-16 locknut	2	3/8 spacers
4	3/8-16 nuts	1	rubber boot
1	3/8-24 nut	1	3/8 female hiem joint
1	3/8-24x3.75 pedal rod*	1	adapter bracket
1	3/8-24x4.5 pedal rod*		

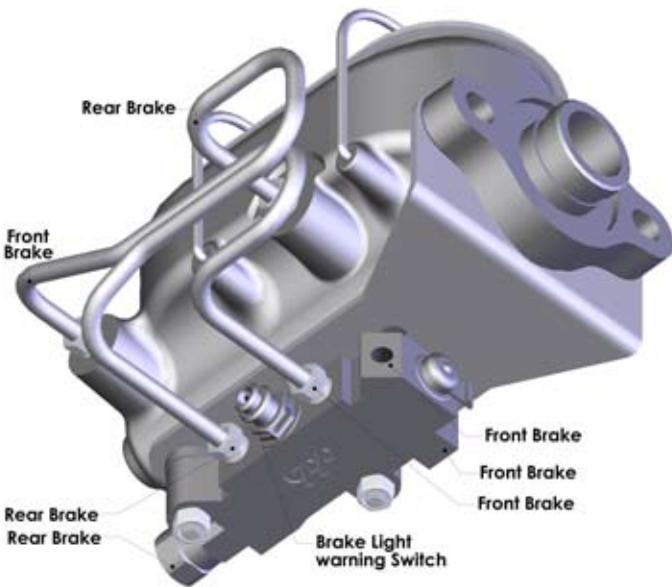
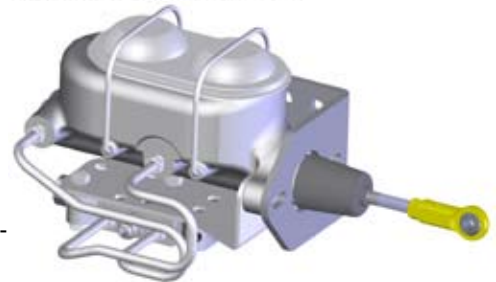
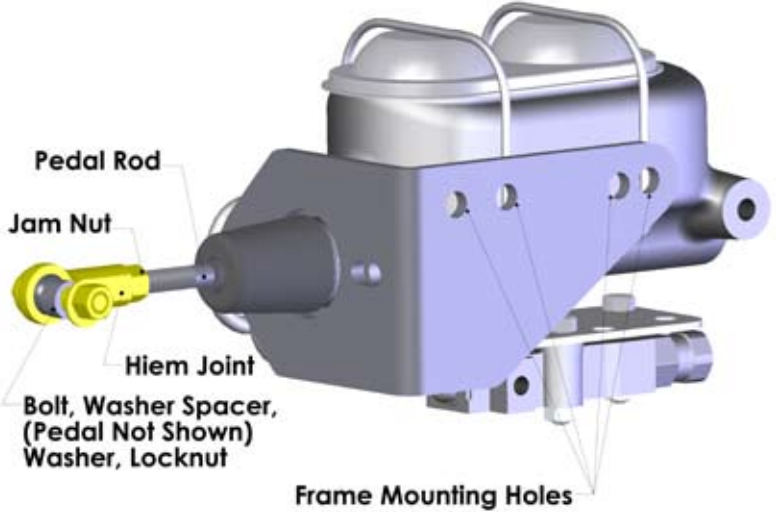
*Two pedal rods are included with this kit. Only one will be needed to fit your Ford (4.5") or Chevy (3.75") application.

Note:

Make sure this kit fits your application before painting or plating. Parts that have been painted, plated or modified may not be returned.

Instructions:

1. Remove your original master cylinder and pedal rod.
2. The new master cylinder adapter mounts in the same holes that your original master cylinder used. Line up the holes on your master cylinder adapter and bolt in place. Install using the supplied 3/8"-16x1.25 bolts (see general torque specs in box below).
3. Install your new master cylinder or master cylinder/proportioning valve as shown in the illustration (we recommend CPP's #MCPVU-2 disc drum m/c or #MCPVU-4 disc disc m/c). When attaching the hiem use the appropriate spacer that keeps the push rod lined up straight into the master cylinder.



4. Adjust pedal rod and hiem joint so it doesn't pre-load the master cylinder with the pedal in the full up position. Make sure that the master cylinder being used has a deep hole (approximately 1") where the push rod installs. This prevents the push rod from falling out. It's recommended that you install or retain a pedal return spring that holds the pedal in the "up" position. After final adjustments are made be sure to tighten the jam nut firmly against the hiem joint to prevent the rod from working loose.

5. Plumb your brake lines according to the instructions supplied with those products or see our "Need Help?" section at www.classicperform.com for all the plumbing and bleeding information you will need to complete this installation.

GENERAL TORQUE SPECIFICATIONS:

1/4"	grade 5	10lb/ft	1/4"	grade 8	14lb/ft
5/16"	grade 5	19lb/ft	5/16"	grade 8	29lb/ft
3/8"	grade 5	33lb/ft	3/8"	grade 8	47lb/ft
7/16"	grade 5	54lb/ft	7/16"	grade 8	78lb/ft
1/2"	grade 5	78lb/ft	1/2"	grade 8	119lb/ft
9/16"	grade 5	114lb/ft	9/16"	grade 8	169lb/ft
5/8"	grade 5	154lb/ft	5/8"	grade 8	230lb/ft

For technical help call Classic Performance Products Monday thru Friday 8:30am to 5:00pm at (714) 522-2000

Classic Performance Products, Inc. 714.522.2000 | fax 714.522.2500

175 E. Freedom Avenue | Anaheim, CA 92801 | www.classicperform.com